

# 75

**SIU FOUNDATION**  
SOUTHERN ILLINOIS UNIVERSITY FOUNDATION

## YEARS OF PHILANTHROPY

### HIGHLIGHTS

**\$10** In 1942, Mr. and Mrs. Stanley Hubbs gave the **FIRST DONATION** to the SIU Foundation.



#### FIRST FOUNDATION DAY: MARCH 12, 1960

On March 12, 1960, the first Foundation Day — the foundation's first major appeal for financial aid from private sources was held. The drive started out with a check for \$7,800 from Alpha Xi Inc., alumnae branch of the former Pi Kappa Sigma local sorority. The foundation also received \$6,804 to establish four-year scholarships for freshman girls, preferably those entering science study.

**\$341,121  
RAISED**

**1,334 GIFTS**

#### SIU DAY OF GIVING

Wednesday, March 1, 2017

SIU's first 24-hour online fundraising campaign

*"The warmth generated by good ideas from good people for good causes quickly melts away all barriers and leads to inevitable success."*

— President Delyte Morris, March 12, 1960

#### HEY DOG!

In 1962, SIU added a mascot called "Hey Dog," a gymnast named John Rush who entertained fans with his impersonations of the famed Saluki mascot dogs. "We think 'Hey Dog' will become a fixture on the SIU campus and we wanted to honor John Rush, originator," said Kenneth Miller, executive director of the foundation.



#### RARE BOOKS

The foundation has been instrumental in the acquisition of rare books valued at thousands of dollars. This includes the H.K. Croessman collection of James Joyce works.

#### UNIQUE GIFTS TO THE FOUNDATION

The foundation was once the recipient of 24 prize Arabian horses. Salukis have also been donated to the university.

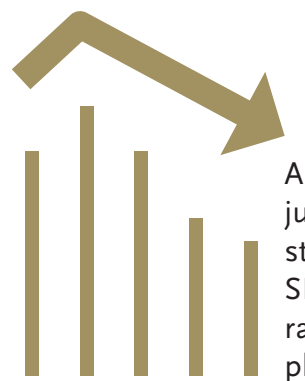


SIU's University Art Galleries received an anonymous gift worth \$5,000 — a painting by American nature, abstractionist Milton Avery. Avery is regarded among the important American pioneers in abstract painting.



#### DELTA AIRLINES DONATES

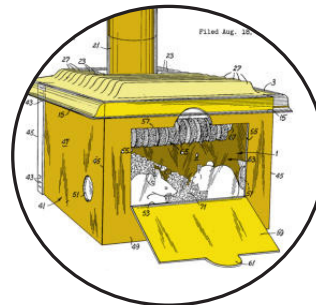
Delta Airlines donates a Convair 880 jet aircraft simulator, valued at \$1.8 million, to the SIU Foundation on October 21, 1974.



#### \$4 MILLION RAISED

for the College of Business and Administration

April 21, 1989: Despite being launched just two days before the second-largest stock market crash in the nation's history, SIU Carbondale's first capital campaign raised more than \$4 million in cash, pledges and gifts for the College of Business and Administration.



#### PATENTS

The foundation has benefited from the support of innovation in the form of patent royalties. The "mouse house" created by Isaac Shechmeister and Harold Cohen is one of the university's most profitable.

### 2016 National Giving Statistics

**95.4%**  
percentage of  
Americans that  
give to charity.



**17%**  
percentage of online  
donations made on  
MOBILE DEVICES.



**7.9%** ↑

The amount online giving grew in 2016 compared to 2015.

Female-headed households are **MORE LIKELY TO GIVE** to charity than male-headed households.

1. \$10 first donation: Southern Illinoian, March 13, 1960
2. First Foundation Day: Southern Alumnus, May, 1960
3. SIU Day of Giving: <http://news.siu.edu/2017/03/030917par17035.php>
4. Hey Dog!: The Egyptian, November 13, 1962
5. Rare Books: St. Louis Post Dispatch, January 5, 1959
6. Art Galleries: Champaign-Urbana News-Gazette, June 16, 1960
7. Delta Airlines: St. Louis Globe-Democrat, October 21, 1974
8. \$4 Million Raised: Southern Illinoian, April 21, 1989
9. Unique Gifts: Southern Illinoian, November 1992
10. Patents: The Egyptian, July 15, 1959
11. Percentage of Americas that give to charity: Bank of America Study of High Net Worth Philanthropy
12. Percentage of online donations: Blackbaud, 2016 Charitable Giving Report
13. Female-headed households: IUPUI, [https://scholarworks.iupui.edu/bitstream/handle/1805/6337/women\\_give\\_2010\\_report.pdf](https://scholarworks.iupui.edu/bitstream/handle/1805/6337/women_give_2010_report.pdf)